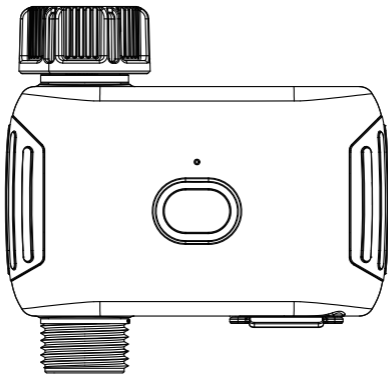
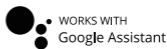




# Instruction Manual Smart Water Timer

**Wi-Fi****English**

## Product description

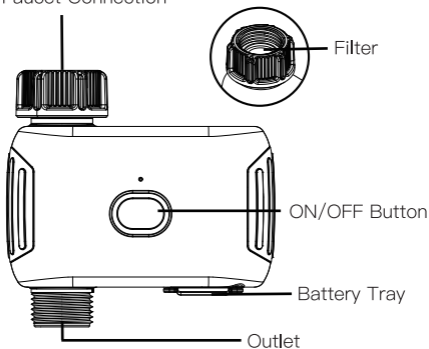
The water valve is a control component in the fluid transportation system, which has the functions of shut-off regulation, diversion, prevention of backflow, pressure stabilization, diversion or overflow pressure relief. Water valves can be used to control the flow of various types of fluids such as water, steam, oil, gas, slurry, corrosive media, liquid metals and radioactive fluids.

## ⚠ Warnings

For outdoor use with cold water only not for use with appliances. Do not mix alkaline, standard (carbon-zinc), or rechargeable (nickel cadmium) batteries. Used up or dead batteries must be removed from the timer and disposed of properly.

## Meet the Hose Faucet Timer

Hose Faucet Connection



## Technical data

Model: SGW03

Range: 50ft without interference

Pressure operating range: 0.05~0.8Mpa (7.25psi~116psi)

Temperature operating range: 4.5°C~45°C (40.1F~113F)

Power: AA\*4 DC6V

Waterproof: IP55

Frequency band: 2.412–2.484GHz

Maximum radio transmit power: <+17dBm

## Preparation for Use

① Download MOES App on App store or scan the QR code



MOES App is upgraded as much more compatibility than Tuya Smart/Smart Life App, functional well for scene controlled by Siri, widget and scene recommendations as the fully new customized service.

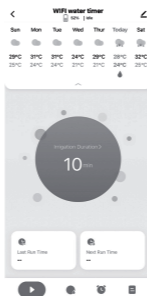
(Note: Tuya Smart/Smart Life App still works, but MOES App is highly recommended)

② Registration or Log in.

- Download “MOES” Application.
- Enter the Register/Login interface; tap “Register” to create an account by entering your phone number to get verification code and “Set password”. Choose “Log in” if you already have a MOES account.

## Steps for connecting the APP

1. Rest device: Long press the water timer Control button for 5s until the light flashes.
2. Make sure your phone is connected to Wi-Fi and Bluetooth.
3. Open MOES App, then the prompt page will automatically show on the screen. Click "Add", Select the device you want to add and click "+".
4. Enjoy your smart life with home automation.



## Control your home with your voice

Devices are compatible with Amazon Alexa and Google Home supported functionalities.

Please see our step-by-step guide on:

<https://www.moestech.com/blogs/news/smart-device-linked-voice-speaker>

## Trouble shooting

If you have problems installing or operating your device, please review its product data sheet:

<https://www.moestech.com/blogs/news/www-sgw03>

## Declaration of conformity

Hereby, WENZHOU NOVA NEW ENERGY CO., LTD declares that the radio equipment type SGW03 is in compliance with Directive 2014/53/EU, 2014/30/EU, 2011/65/EU.

The full text of the EU declaration of conformity is available at the following internet address:

<https://www.moestech.com/blogs/news/www-sgw03>

## FCC compliance statement

FCC Compliance Statement for SGW03

This device complies with Part 15 of the FCC Rules.

Operation is subject to the following two conditions: (1)

This device may not cause harmful interference, and (2)

this device must accept any interference received, including interference that may cause undesired operation.

Note: This equipment has been tested and found to comply with the limits for a Class B digital device, pursuant to Part

15 of the FCC Rules. These limits are designed to provide reasonable protection against harmful interference in a

residential installation. This equipment generates, uses, and can radiate radio frequency energy and, if not installed and

used in accordance with the instructions, may cause harmful interference to radio communications. However, there is no

guarantee that interference will not occur in a particular installation. If this equipment does cause harmful interference

to radio or television reception, which can be determined by turning the equipment off and on, the user is encouraged to

try to correct the interference by one or more of the following measures:

- Reorient or relocate the receiving antenna.
- Increase the separation between the equipment and receiver.
- Connect the equipment into an outlet on a circuit different from that to which the receiver is connected.

– Consult the dealer or an experienced radio/TV technician for help.

This device complies with Part 15 of the FCC Rules.

Operation is subject to the following two conditions: (1)

This device may not cause harmful interference, and (2) this device must accept any interference received, including interference that may cause undesired operation. Changes or modifications not expressly approved by the party responsible for compliance could void the user's authority to operate the equipment.

FCC Radiation Exposure Statement:

This equipment complies with FCC radiation exposure limits set forth for an uncontrolled environment. End users must follow the specific operating instructions for satisfying RF exposure compliance. This transmitter must not be co-located or operating in conjunction with any other antenna or transmitter.

## RECYCLING INFORMATION

All products marked with the symbol for separate collection of waste electrical and electronic equipment (WEEE Directive 2012/19 / EU) must be disposed of separately from unsorted municipal waste. To protect your health and the environment, this equipment must be disposed of at designated collection points for electrical and electronic equipment designated by the government or local authorities. Correct disposal and recycling will help prevent potential negative consequences for the environment and human health. To find out where these collection points are and how they work, contact the installer or your local authority.



FR

Cet appareil,  
ses accessoires,  
se recyclent

À DÉPOSER  
EN MAGASIN

ou

À DÉPOSER  
EN DÉCHÈTERIE

## WARRANTY INSTRUCTIONS

Dear Sir or Madam, thank you for purchasing the product. We hope you'll enjoy using it.

The warranty for the products in the warranty card is hereby granted as follows.

As a condition of using the warranty, you must comply with the following terms and procedures:

1. Products are covered by a 24-month warranty, effective from the date of purchase of the covered product by a retail customer.
2. In order to exercise warranty rights, the purchaser must present: a) Warranty card, b) Proof of purchase (VAT invoice, financial receipt or other document confirming the actual date of purchase), unless the purchase date of the product comes from the warranty card.
3. If product quality problems occur within 24 months from the date of receipt, please prepare the product and packaging and go to the place or store where you purchased it to apply for after-sales maintenance. If the product is damaged due to personal reasons, a certain maintenance fee will be charged.
4. We recommend that you properly protect the goods when delivering them to the guarantor – for this purpose, we recommend that you use the original packaging with padding

to ensure safe transportation. If you choose to use replacement packaging, we recommend that you ensure that the product is adequately protected from damage during shipping. We recommend that you place an appropriate sticker on your packaging indicating the product's susceptibility to impact, such as "Warning Glass".

5. Reported defects covered by the warranty will be considered immediately and no later than 14 days from the date of delivery of the goods to the Guarantor.

6. After checking and determining the legality of the warranty claim, the Guarantor's services will repair the product within a reasonable time, not exceeding 30 days from the date of delivery of the goods to the Guarantor. However, if hard-to-find spare parts are required, this deadline may extend the time it takes to deliver the part from the manufacturer's factory.

7. The warranty does not include the performance of maintenance and similar operations specified in the user manual, and users are obliged to do it themselves.

8. If defects occur due to natural wear and tear during use, the warranty does not cover it.

9. The warranty does not cover:

a) Mechanical damage caused by the user's fault and product defects caused by such damage.

b) Damage caused by improper use of the product.

10. The rights under the guarantee will expire in the following circumstances:

a) Remove the warranty seal from the product.

b) Remove the serial number from the product.

c) Take action to eliminate physical defects in the product outside of authorized service.

d) Use non-original parts and consumables.

## FOLLOW US

 @moessmart

 MOES.Official

 @moes\_smart

 @moes\_smart

 @moes\_smart

 www.moes.net



AMZLAB GmbH

Laubenhof 23, ESSEN 45326

Email: info@amz-lab.de

Tel: +491745298066

Made In China



EVATOST CONSULTING LTD

Address: Suite 11, First Floor, Moy  
Road Business Centre, Taffs Well,  
Cardiff, Wales, CF15 7QR

Tel: +44-292-1680945

Email: contact@evatmaster.com



Manufacturer:

WENZHOU NOVA NEW ENERGY CO.,LTD

Address: Power Science and Technology  
Innovation Center, NO.238, Wei 11 Road,  
Yueqing Economic Development Zone,  
Yueqing, Zhejiang, China

Tel: +86-577-57186815

After-sale Service: service@moeshouse.com

# Bedienungsanleitung (Deutsch)

## Mehr Inhalte

Scannen Sie den QR-Code, um das elektronische Handbuch in der entsprechenden Sprache für mehr Inhalte.



## Warnungen

Für den Gebrauch im Freien mit kaltem Wasser nur nicht für den Gebrauch mit Geräten. Mischen Sie keine alkalischen, Standard (Kohlenstoff-Zink) oder wiederaufladbaren (Nickel-Cadmium) Batterien. Abgebrauchte oder tote Batterien müssen vom Timer entfernt und ordnungsgemäß entsorgt werden.

## Technische Daten

Modell: SGW03

Bereich: 50ft ohne Störungen

Druckbetriebsbereich: 0.05~0.8Mpa (7.25psi~116psi)

Temperaturbetriebsbereich: 4.5°C~45°C (40.1F~113F)

Leistung: AA\*4 DC6V

Wasserdicht: IP55

Frequenzband: 2.412-2.484GHz

Maximale Funksenderleistung: <+17dBm

## Konformitätserklärung

Hiermit WENZHOU NOVA NEW ENERGY CO. ,LTD erklärt, dass die Funkgeräte Typ SGW03 den Richtlinien 2014/53/EU, 2014/30/EU, 2011/65/EU entspricht.

Der vollständige Text der EU-Konformitätserklärung ist verfügbar unter folgender Internetadresse:

<https://www.moestech.com/blogs/news/www-sgw03>

## Gewährleistungen

Sehr geehrte Damen und Herren, vielen Dank für Ihren Kauf. Wir hoffen, Sie genießen es.

Die Garantie für die Produkte in der Garantiekarte wird hiermit wie folgt gewährt.

Als Bedingung für die Inanspruchnahme der Garantie müssen Sie die folgenden Bedingungen und Verfahren einhalten:

1. Produkte sind von einer 24-monatigen Garantie abgedeckt, die ab dem Datum des Kaufs des abgedeckten Produkts durch einen Einzelhandelskunden gültig ist.
2. Um Garantierechte auszuüben, muss der Käufer Folgendes vorlegen: a) Garantiekarte, b) Kaufnachweis (Mehrwertsteuer-errechnung, Finanzbeleg oder anderes Dokument, das das tatsächliche Kaufdatum bestätigt), es sei denn, das Kaufdatum des Produkts stammt von der Garantiekarte.
3. Wenn Produktqualitätsprobleme innerhalb von 24 Monaten nach Erhalt auftreten, bereiten Sie das Produkt und die Verpackung vor und gehen Sie zum Ort oder Geschäft, in dem Sie es gekauft haben, um eine After-Sales-Wartung zu beantragen. Wenn das Produkt aus persönlichen Gründen beschädigt wird, wird eine bestimmte Wartungsgebühr berechnet.
4. Die Garantie erstreckt sich nicht auf:
  - a) Mechanische Schäden durch Verschulden des Benutzers und Produktmängel durch solche Schäden.
  - b) Schäden, die durch unsachgemäße Verwendung des Produkts verursacht werden.

# Manual de instalación (Español)

## Más contenido

Escanee el código QR para obtener el manual electrónico en el idioma correspondiente para más contenido.



## **⚠** Advertencias

Para uso al aire libre con agua fría solo no para uso con electrodomésticos. No mezcle baterías alcalinas, estándar (carbono-zinc) o recargables (níquel-cadmio). Las baterías usadas o muertas deben retirarse del temporizador y desecharse adecuadamente.

## Datos técnicos

Modelo: SGW03

Rango: 50 pies sin interferencia

Rango de operación de presión:

0.05~0.8Mpa (7.25psi~116psi)

Rango de funcionamiento de temperatura:

4.5°C~45°C (40.1F~113F)

Potencia: AA\*4 DC6V

Impermeable: IP55

Banda de frecuencia: 2.412~2.484GHz

Potencia máxima de transmisión de radio: <+17dBm

## Declaración de conformidad

Por la presente, WENZHOU NOVA NEW ENERGY CO. ,LTD declara que el equipo de radio tipo SGW03 cumple con la Directiva 2014/53/UE, 2014/30/UE, 2011/65/UE.

El texto completo de la declaración de conformidad es disponible en la siguiente dirección de Internet:

<https://www.moestech.com/blogs/news/www-sgw03>

## Instrucciones de garantía

Estimado Señor o señora, gracias por comprar el producto. Esperamos que le guste usarlo.

Se otorga la siguiente garantía a los productos en la tarjeta de garantía.

Como condición para el uso de la garantía, debe cumplir con los siguientes términos y procedimientos:

1. El producto goza de una garantía de 24 meses, que entrará en vigor a partir de la fecha en que el cliente minorista compre el producto cubierto.
2. Para ejercer la garantía, el comprador debe presentar:  
a) la tarjeta de garantía, b) el certificado de compra (factura de iva, recibo financiero u otro documento que confirme la fecha real de compra), a menos que la fecha de compra del producto provenga de la tarjeta de garantía.
3. Dentro de los 24 meses siguientes a la fecha de recepción del producto, si hay problemas de calidad del producto, prepare el producto y el embalaje y vaya al lugar de compra o tienda para solicitar el mantenimiento post – venta. Si el producto se daña por razones personales, se cobrará una cierta tarifa de mantenimiento.
4. La garantía no incluye:  
a) Los daños mecánicos causados por la negligencia del usuario y los defectos resultantes del producto.  
b) Daños causados por el uso inadecuado del producto.

# Manuel d'installation (Français)

## Plus de contenu

Scannez le code QR pour obtenir le manuel électronique dans la langue correspondante pour plus de contenu.



## **⚠** Avertissements

Pour une utilisation extérieure avec de l'eau froide seulement, pas pour une utilisation avec des appareils électroménagers. Ne mélangez pas de batteries alcalines, standard (carbone-zinc) ou rechargeables (nickel-cadmium). Les batteries usées ou mortes doivent être enlevées de l'horaire et éliminées correctement.

## Données techniques

Modèle: SGW03

Plage: 50ft sans interférence

Plage de fonctionnement sous pression:

0.05~0.8Mpa (7.25psi~116psi)

Plage de fonctionnement de température:

4.5°C~45°C (40.1F~113F)

Puissance: AA\*4 DC6V

Imperméable à l'eau: IP55

Bande de fréquence: 2.412~2.484GHz

Puissance de transmission radio maximale: <+17dBm

## Déclaration de conformité

Par la présente, WENZHOU NOVA NEW ENERGY CO. ,LTD déclare que le type de matériel radio SGW03 est conforme aux directives 2014/53/UE, 2014/30/UE, 2011/65/UE.

Le texte complet de la déclaration de conformité est disponible à l'adresse Internet suivante :

<https://www.moestech.com/blogs/news/www-sgw03>

## Description de la garantie

Cher Monsieur ou Madame, merci d'avoir acheté ce produit. Nous espérons que vous apprécierez de l'utiliser.

La garantie ci – dessous est accordée pour les produits figurant sur la carte de garantie.

Comme condition d'utilisation de la garantie, vous devez respecter les modalités et procédures suivantes:

1. Les produits bénéficient d'une garantie de 24 mois à compter de la date d'achat du produit couvert par le client au détail.
2. Pour exercer le droit à la garantie, l'acheteur doit présenter: a) une carte de garantie, b) une preuve d'achat (facture TVA, reçu financier ou autre document confirmant la date d'achat effective), sauf si la date d'achat du produit provient de la carte de garantie.
3. S'il y a un problème de qualité du produit dans les 24 mois suivant la date de réception du produit, veuillez préparer le produit et l'emballage et vous rendre à l'endroit ou au magasin où vous l'avez acheté pour demander une réparation après – vente. Si le produit est endommagé pour des raisons personnelles, certains frais de réparation seront facturés.
4. La garantie ne couvre pas:
  - a) Les dommages mécaniques causés par la faute de l'utilisateur et les défauts du produit qui en résultent.
  - b) Les dommages causés par une mauvaise utilisation du produit.

# Manuale di installazione (Italiano)

## Altri contenuti

Scansionare il codice QR per ottenere il manuale elettronico nella lingua corrispondente per Più contenuti.



## **⚠** Avvertimenti

Per uso esterno solo con acqua fredda non per uso con elettrodomestici. Non miscelare batterie alcaline, standard (carbonio-zinco) o ricaricabili (nicel-cadmio). Le batterie usate o morte devono essere rimosse dal timer e smaltite correttamente.

## Dati tecnici

Modello: SGW03

Gamma: 50ft senza interferenze

Rango di funzionamento a pressione:  
0.05~0.8Mpa (7.25psi~116psi)

Temperatura di funzionamento: 4.5°C~45°C (40.1F~113F)

Potenza: AA\*4 DC6V

Impermeabile: IP55

Banda di frequenza: 2.412-2.484GHz

Potenza massima di trasmissione radio: <+17dBm

## Dichiarazione di conformità

Con la presente, WENZHOU NOVA NEW ENERGY CO. ,LTD dichiara che l'apparecchiatura radio di tipo SGW03 è conforme alle direttive 2014/53/UE, 2014/30/UE, 2011/65/UE. Il testo completo della dichiarazione di conformità UE è disponibile al seguente indirizzo internet: <https://www.moestech.com/blogs/news/www-sgw03>

## Istruzioni di garanzia

Gentile Signore o Signora, grazie per l'acquisto del prodotto. Speriamo che vi piacerà usarlo.

La garanzia per i prodotti riportati nella scheda di garanzia è concessa come segue.

Come condizione per l'utilizzo della garanzia, è necessario rispettare i seguenti termini e procedure:

1. I prodotti sono coperti da una garanzia di 24 mesi, a decorrere dalla data di acquisto del prodotto coperto da parte di un cliente al dettaglio.
2. Per esercitare i diritti di garanzia, l'acquirente deve presentare: a) Carta di garanzia, b) Prova di acquisto (fattura IVA, ricevuta finanziaria o altro documento attestante la data effettiva di acquisto), a meno che la data di acquisto del prodotto non provenga dalla carta di garanzia.
3. Se si verificano problemi di qualità del prodotto entro 24 mesi dalla data di ricevimento, si prega di preparare il prodotto e l'imballaggio e recarsi nel luogo o negozio in cui è stato acquistato per richiedere la manutenzione post- vendita. Se il prodotto è danneggiato per motivi personali, verrà addebitato un certo costo di manutenzione.
4. La garanzia non copre:
  - a) Danni meccanici causati da errori dell'utente e difetti del prodotto causati da tali danni.
  - b) Danni causati da uso improprio del prodotto.

# Manual de instruções (Português)

## Mais conteúdo

Digitalizar o código QR para obter o manual eletrônico no idioma correspondente para mais conteúdo.



## Avisos

Para uso ao ar livre com água fria apenas não para uso com eletrodomésticos. Não misture baterias alcalinas, padrão (carbono-zinco) ou recarregáveis (níquel-cádmio). Baterias usadas ou mortas devem ser removidas do temporizador e descartadas corretamente.

## Dados técnicos

Modelo: SGW03

Alcance: 50ft sem interferência

Gama de operação de pressão: 0.05~0.8Mpa (7.25psi~116psi)

Gama de operação de temperatura: 4.5°C~45°C (40.1F~113F)

Potência: AA\*4 DC6V

Impermeável: IP55

Banda de frequência: 2.412~2.484GHz

Potência máxima de transmissão de rádio: <+17dBm

## Declaração de conformidade

Por meio deste, WENZHOU NOVA NEW ENERGY CO. A,LTD declara que o equipamento de rádio tipo SGW03 está em conformidade com a Diretiva 2014/53/UE, 2014/30/UE, 2011/65/UE. O texto completo da declaração de conformidade da UE é disponível no seguinte endereço de internet: <https://www.moestech.com/blogs/news/www-sgw03>

## Instruções de garantia

Caro senhor ou senhora, obrigado por comprar o produto. Esperamos que você goste de usá-lo.

A garantia para os produtos no cartão de garantia é concedida da seguinte forma.

Como condição para usar a garantia, você deve cumprir os seguintes termos e procedimentos:

1. Os produtos são cobertos por uma garantia de 24 meses, efetiva a partir da data de compra do produto coberto por um cliente varejista.
2. Para exercer os direitos de garantia, o comprador deve apresentar: a) cartão de garantia, b) comprovante de compra (fatura IVA, recibo financeiro ou outro documento confirmando a data real da compra), a menos que a data de compra do produto venha do cartão de garantia.
3. Se problemas de qualidade do produto ocorrerem dentro de 24 meses a partir da data de recebimento, por favor prepare o produto e embalagem e vá para o lugar ou loja onde você comprou para aplicar para manutenção pós-venda. Se o produto for danificado devido a razões pessoais, uma certa taxa de manutenção será cobrada.
4. A garantia não cobre:
  - a) Danos mecânicos causados pela falha do usuário e defeitos do produto causados por tais danos.
  - b) Danos causados pelo uso indevido do produto.

# Руководство по эксплуатации (Русский язык)

## Больше контента

Сканируйте QR-код, чтобы получить электронное руководство на соответствующем языке для Больше контента.



## **⚠** Предупреждения

Для использования на открытом воздухе с холодной водой только не для использования с приборами. Не смешивайте щелочные, стандартные (углеродно-цинковые) или перезаряжаемые (никель-кадмиевые) батареи. Искользованные или мертвые батареи должны быть удалены из таймера и выброшены должным образом.

## Технические данные

Модель: SGW03

Диапазон: 50ft без вмешательства

Рабочий диапазон давления: 0.05~0.8Мпа (7.25psi~116psi)

Рабочий диапазон температур: 4.5°C~45°C (40.1F~113F)

Мощность: AA\*4 DC6V

Водонепроницаемый: IP55

Частотная полоса: 2.412~2.484GHz

Максимальная мощность радиопередачи: <+17dBm

## Декларация о соответствии

Настоящим, WENZHOU NOVA NEW ENERGY CO.

Компания заявляет, что радиооборудование типа SGW03 соответствует Директиве 2014/53/EC, 2014/30/EC, 2011/65/EC. Полный текст декларации соответствия EC

Доступно по следующему интернет-адресу:

<https://www.moestech.com/blogs/news/www-sgw03>

## Гарантия

Уважаемый господин или госпожа, спасибо за покупку этого продукта.

Надеемся, вам понравится его использовать.

На продукты, указанные в гарантийной карте, предоставляется следующая гарантия.

В качестве условия использования гарантии вы должны соблюдать следующие условия и процедуры:

1. Продукция имеет 24 – месячную гарантию, которая вступает в силу с даты покупки розничным клиентом охватываемой продукции.
2. Для осуществления гарантийного права покупатель должен предъявить: а) гарантийную карту, б) свидетельство о покупке (счет – фактуру НДС, финансовую квитанцию или другой документ, подтверждающий фактическую дату покупки), если только дата покупки продукта не получена из гарантийной карты.
3. В случае возникновения проблем с качеством продукции в течение 24 месяцев с момента ее получения подготовьте продукт и упаковку и отправьтесь в место покупки или магазин для послепродажного ремонта. Если продукт поврежден по личным причинам, взимается определенная плата за ремонт.
4. Гарантия не включает:
  - а) Механические повреждения по вине пользователя и вызванные ими дефекты продукции.
  - б) Ущерб причиненный неправильным использованием продукции.

# Instrukcja obsługi (Polski)

## Więcej treści

Skanuj kod QR, aby uzyskać elektroniczną instrukcję w odpowiednim języku więcej treści.



## **!** Ostrzeżenia

Do użytku na zewnątrz z zimną wodą tylko nie do użytku z urządzeniami. Nie mieszać baterii alkalicznych, standardowych (węglo–cynk) lub ładowalnych (niklowo–kadmowych). Używane lub martwe baterie należy usunąć z zegara i prawidłowo wyrzucić.

## Dane techniczne

Model: SGW03

Zakres: 50ft bez zakłóceń

Zakres pracy ciśnienia: 0.05~0.8Mpa (7.25psi~116psi)

Zakres pracy temperatury: 4.5°C~45°C (40.1F~113F)

Moc: AA\*4 DC6V

Wodoodporny: IP55

Pasma częstotliwości: 2.412–2.484GHz

Maksymalna moc transmisji radiowej: <+17dBm

## Deklaracja zgodności

Niniejszym WENZHOU NOVA NEW ENERGY CO. ,LTD oświadcza, że urządzenia radiowe typu SGW03 są zgodne z dyrektywą 2014/53/UE, 2014/30/UE, 2011/65/UE. Pełny tekst deklaracji zgodności UE jest dostępne pod następującym adresem internetowym:  
<https://www.moestech.com/blogs/news/www-sgw03>

## Instrukcje gwarancji

Szanowny Panie lub Pani, dziękujemy za zakup produktu. Mamy nadzieję, że spodoba ci się korzystanie z niego. Gwarancja na produkty zawarte w karcie gwarancyjnej jest niniejszym udzielana w następujący sposób.

Warunkiem korzystania z gwarancji jest przestrzeganie następujących warunków i procedur:

1. Produkty objęte są 24-miesięczną gwarancją, obowiązującą od dnia zakupu objętego produktem przez klienta detalicznego.
2. Aby skorzystać z praw gwarancyjnych, kupujący musi okazać: a) kartę gwarancyjną, b) dowód zakupu (faktura VAT, paragon finansowy lub inny dokument potwierdzający faktyczną datę zakupu), chyba że data zakupu produktu pochodzi z karty gwarancyjnej.
3. Jeśli problemy z jakością produktu wystąpią w ciągu 24-miesięcy od daty otrzymania produktu, należy przygotować produkt i opakowanie i udać się do miejsca lub sklepu, w którym go zakupiłeś, aby złożyć wniosek o konserwację posprzedażną. Jeśli produkt zostanie uszkodzony z przyczyn osobistych, zostanie naliczona pewna opłata konserwacyjna.
4. Gwarancja nie obejmuje:
  - a) Uszkodzenia mechaniczne spowodowane winą użytkownika oraz wady produktu spowodowane takimi uszkodzeniami.
  - b) Uszkodzenia spowodowane niewłaściwym użytkowaniem produktu.